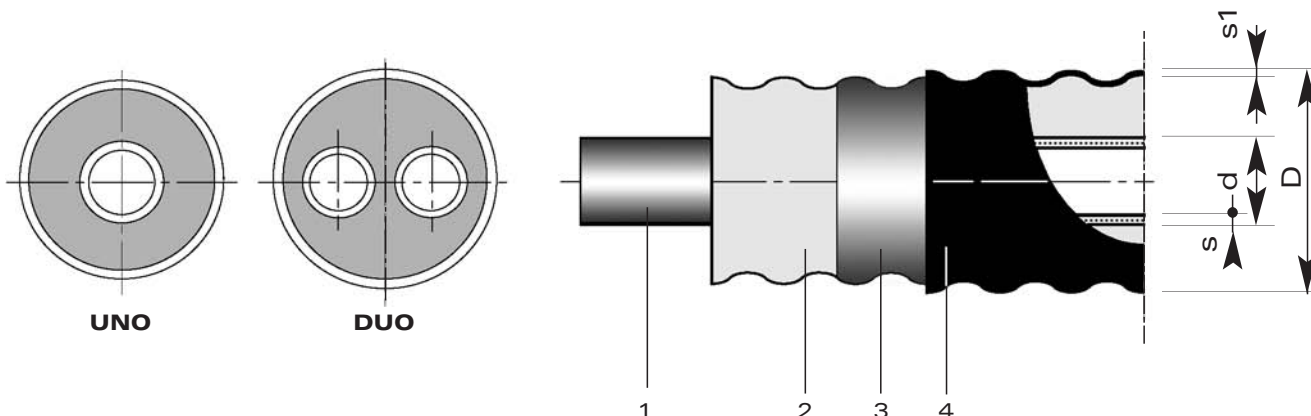


CALCOPPER
Local heating and house connection piping
 Heating, 120 °C, 16 bar, UNO and DUO

CCO
9.115

3.9.2003



Pos	Material
1	Medium pipe in soft copper, R220, to EN1057, SF-Cu F22 to DIN 1787/17671/1754
2	Flexible, CFC-free polyurethane foam, resistant up to 130 °C Thermal conduction coefficient $\lambda = 0.0255 \text{ W/mK}$ at 50 °C average temperature
3	PE-LD film
4	Outer casing in black PE-LD polyethylene (VDE 0209), extruded seamless. Protection against mechanical effects and moisture.

CALCOPPER, UNO

Type	DN	Carrier pipe Cu d x s mm	Protective sheath D x s1min mm	Min. Bending radius m	Capacity carrier pipe l/m	Weight kg/m	max. Delivery length
							Ring without connections m
15/63*	10	15 x 1.0	63 x 1.8	0.7	0.13	0.93	280
15/76	10	15 x 1.0	76 x 2.0	0.7	0.13	1.09	280
18/63*	15	18 x 1.0	63 x 1.8	0.7	0.20	1.01	300
18/76	15	18 x 1.0	76 x 2.0	0.7	0.20	1.17	300
22/63*	20	22 x 1.0	63 x 1.8	0.7	0.31	1.12	200
22/76	20	22 x 1.0	76 x 2.0	0.7	0.31	1.27	200
28/76	25	28 x 1.2	76 x 2.0	0.7	0.51	1.57	130
35/9	32	35 x 1.5	91 x 2.2	0.8	0.83	2.27	On request

*Dimension without corrugated protective casing
 Ring dimensions: Ø 2800 x 800 mm (width) / pipe length without interrelated fittings

CALCOPPER, DUO

Type	DN	Carrier pipe Cu d x s mm	Protective sheath D x s1min mm	Min. Bending radius m	Capacity carrier pipe l/m	Weight kg/m	max. Delivery length
							Ring without connections m
15+15/91	10	15 x 1.0	91 x 2.2	0.8	2 x 0.13	1.35	280
18+18/91	15	18 x 1.0	91 x 2.2	0.8	2 x 0.20	1.50	300
22+15/91	20	22 x 1.0	91 x 2.2	0.8	1 x 0.31	1.51	200
	10	15 x 1.0	-	-	1 x 0.13		
22+22/91	20	22 x 1.0	91 x 2.2	0.8	2 x 0.31	1.72	200
28+15/91	25	28 x 1.2	91 x 2.2	0.8	1 x 0.51	1.92	130
	10	15 x 1.0	-	-	1 x 0.13		
28+22/91	25	28 x 1.2	91 x 2.2	0.8	1 x 0.51	2.03	130
	20	22 x 1.0	-	-	1 x 0.31		