

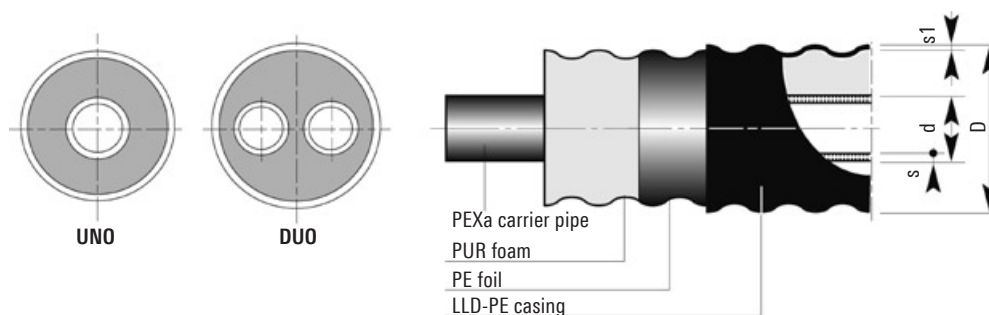
CALPEX® district heating pipe

CALPEX® UNO/DUO range

Heating, 6 bar

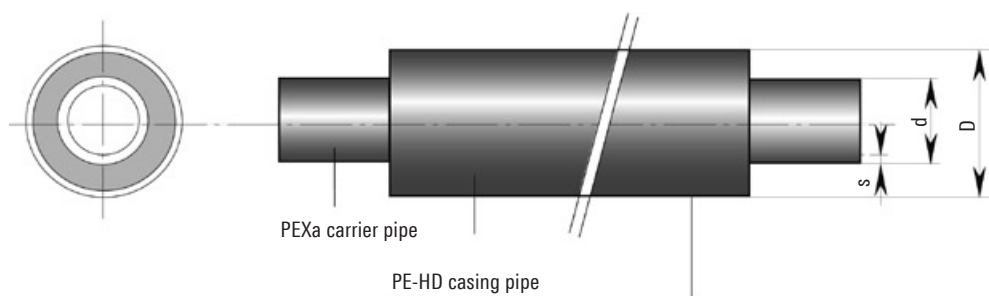
CALPEX® in coils:

Dimensions:
DN 20 - DN 125



CALPEX® in straight lengths:

Dimensions:
DN 150



CALPEX® heating, 6 bar, UNO

Type	DN	Inches	PEX carrier pipe d x s mm	Outer casing D x s1 mm	Minimum bending radius m	Volume carrier pipe l/m	Weight kg/m	Maximum delivery lengths	
								Jumbo coil m	Maxi coil m
25/ 76	20	¾"	25 x 2.3	78 x 2.0	0.7	0.32	0.90	520	780
32/ 76	25	1"	32 x 2.9	78 x 2.0	0.7	0.53	1.00	520	780
40/ 91	32	1¼"	40 x 3.7	93 x 2.2	0.8	0.83	1.39	370	570
50/111	40	1½"	50 x 4.6	113 x 2.4	0.9	1.30	1.97	271	401
63/126	50	2"	63 x 5.8	128 x 2.7	1.0	2.07	2.60	192	291
75/142	65	2½"	75 x 6.8	143 x 3.0	1.1	2.96	3.39	140	224
90/162	80	3"	90 x 8.2	163 x 3.2	1.2	4.25	4.56	92	149
110/162	100	4"	110 x 10.0	163 x 3.2	1.2	6.36	5.10	92	149
110/182	100	4"	110 x 10.0	183 x 3.3	1.4	6.36	5.68	52	86
125/182	125	5"	125 x 11.4	183 x 3.3	1.4	8.20	6.37	52	86
160/250	150	6"	160 x 14.6	250 x 3.9	-	13.43	11.31	12	12

CALPEX® heating, 6 bar, DUO

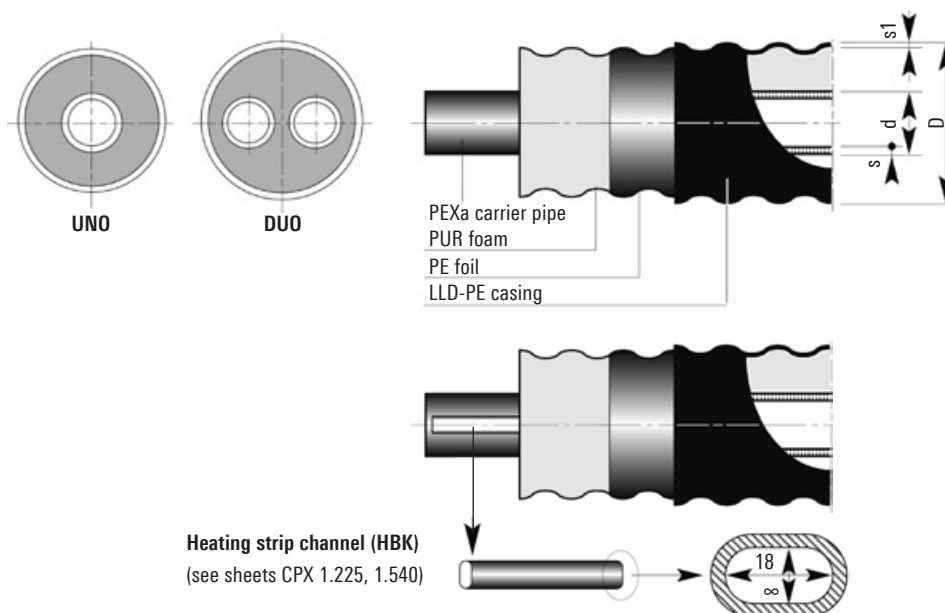
Type	DN	Inches	PEX carrier pipe d x s mm	Outer casing D x s1 mm	Minimum bending radius m	Volume carrier pipe l/m	Weight kg/m	Maximum delivery lengths	
								Jumbo coil m	Maxi coil m
25 + 25/ 91	20 + 20	2 x ¾"	2 x 25 x 2.3	93 x 2.2	0.8	2 x 0.32	1.34	370	570
32 + 32/111	25 + 25	2 x 1"	2 x 32 x 2.9	113 x 2.4	0.9	2 x 0.53	1.87	271	401
40 + 40/126	32 + 32	2 x 1¼"	2 x 40 x 3.7	128 x 2.7	1.0	2 x 0.83	2.48	192	291
50 + 50/162	40 + 40	2 x 1½"	2 x 50 x 4.6	163 x 3.2	1.2	2 x 1.30	3.96	92	149
63 + 63/182	50 + 50	2 x 2"	2 x 63 x 5.8	183 x 3.3	1.4	2 x 2.07	5.28	52	86

- We will produce different dimensions or special items on request (> 500 m).
- Larger or smaller delivery lengths can be supplied on drums if requested.
- Coil dimensions: **Jumbo coil** outer diameter 2800 mm x 800 mm (width)
Maxi coil outer diameter 2800 mm x 1200 mm (width)

CALPEX® district heating pipe

CALPEX® UNO/DUO range

Sanitary, 10 bar



CALPEX® sanitary, 10 bar, UNO

Type	DN	Inches	PEX carrier pipe d x s mm	Outer casing D x s1 mm	Minimum bending radius m	Volume carrier pipe l/m	Weight kg/m	Maximum delivery lengths	
								Jumbo coil m	Maxi coil m
22/ 76	16	5/8"	22 x 3.0	78 x 2.0	0.7	0.201	0.96	520	780
28/ 76	20	3/4"	28 x 4.0	78 x 2.0	0.7	0.314	1.06	520	780
32/ 76	25	1"	32 x 4.4	78 x 2.0	0.7	0.423	1.12	520	780
40/ 91	32	1 1/4"	40 x 5.5	93 x 2.2	0.8	0.660	1.56	370	570
50/111	40	1 1/2"	50 x 6.9	113 x 2.4	0.9	1.029	2.25	271	401
63/126	50	2"	63 x 8.7	128 x 2.7	1.0	1.633	3.06	192	291
32/111 HBK	25	1"	32 x 4.4	113 x 2.4	0.9	0.423	1.83	271	401
40/126 HBK	32	1 1/4"	40 x 5.5	128 x 2.7	1.0	0.660	2.49	192	291
50/126 HBK	40	1 1/2"	50 x 6.9	128 x 2.7	1.0	1.029	2.76	192	291

CALPEX® sanitary, 10 bar, DUO

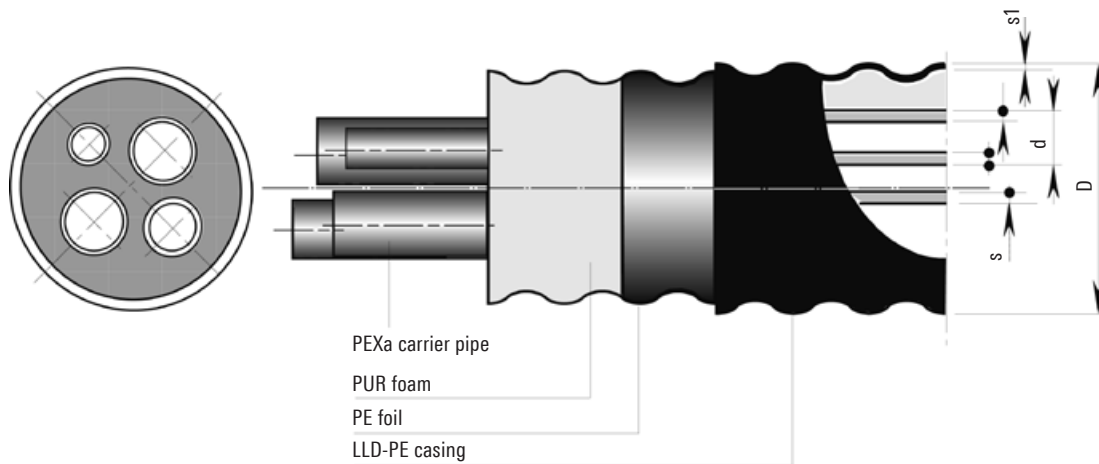
Type	DN	Inches	PEX carrier pipe d x s mm	Outer casing D x s1 mm	Minimum bending radius m	Volume carrier pipe l/m	Weight kg/m	Maximum delivery lengths	
								Jumbo coil m	Maxi coil m
28 + 22/ 91	20 + 16	3/4" + 5/8"	28 x 4.0 + 22 x 3.0	93 x 2.2	0.8	0.314 + 0.201	1.47	370	570
32 + 22/111	25 + 16	1" + 5/8"	32 x 4.4 + 22 x 3.0	113 x 2.4	0.9	0.423 + 0.201	1.95	271	401
40 + 28/126	32 + 20	1 1/4" + 3/4"	40 x 5.5 + 28 x 4.0	128 x 2.7	1.0	0.660 + 0.314	2.60	192	291
50 + 32/126	40 + 25	1 1/2" + 1"	50 x 6.9 + 32 x 4.4	128 x 2.7	1.0	1.029 + 0.423	2.96	192	291

- We will produce different dimensions or special items on request (> 500 m).
- Larger or smaller delivery lengths can be supplied on drums if requested.
- Coil dimensions:
 - Jumbo coil** outer diameter 2800 mm x 800 mm (width)
 - Maxi coil** outer diameter 2800 mm x 1200 mm (width)

CALPEX® district heating pipe

CALPEX® QUADRIGA range

Heating 6 bar, sanitary 10 bar



CALPEX®, heating 6 bar, sanitary 10 bar, QUADRIGA

Type	DN	Inches	Carrier pipe d x s mm	Outer casing D x s1 mm	Minimum bending radius m	Volume carrier pipe l/m	Weight kg/m	Maximum delivery length	
								Jumbo coil m	Maxi coil m
H25 + 25/S28 + 22/142	20	¾"	25 x 2.3	143 x 3.0	1.1	0.327	3.25	110	180
	20	¾"	25 x 2.3						
	20	¾"	28 x 4.0						
	16	⅝"	22 x 3.0						
H32 + 32/S28 + 22/142	25	1"	32 x 2.9	143 x 3.0	1.1	0.539	3.39	110	180
	25	1"	32 x 2.9						
	20	¾"	28 x 4.0						
	16	⅝"	22 x 3.0						
H32 + 32/S32 + 22/142	25	1"	32 x 2.9	143 x 3.0	1.1	0.539	3.41	110	180
	25	1"	32 x 2.9						
	25	1"	32 x 4.4						
	16	⅝"	22 x 3.0						
H40 + 40/S40 + 28/162	32	1¼"	40 x 3.7	163 x 3.2	1.2	0.835	4.15	65	105
	32	1¼"	40 x 3.7						
	32	1¼"	40 x 5.5						
	20	¾"	28 x 4.0						

- We will produce different dimensions or special items on request (> 500 m).
- Larger or smaller delivery lengths can be supplied on drums if requested.
- Coil dimensions:
 - Jumbo coil** outer diameter 2800 mm x 800 mm (width)
 - Maxi coil** outer diameter 2800 mm x 1200 mm (width)