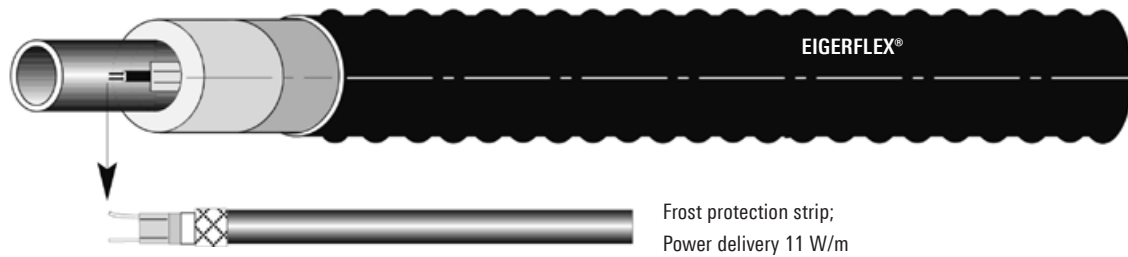
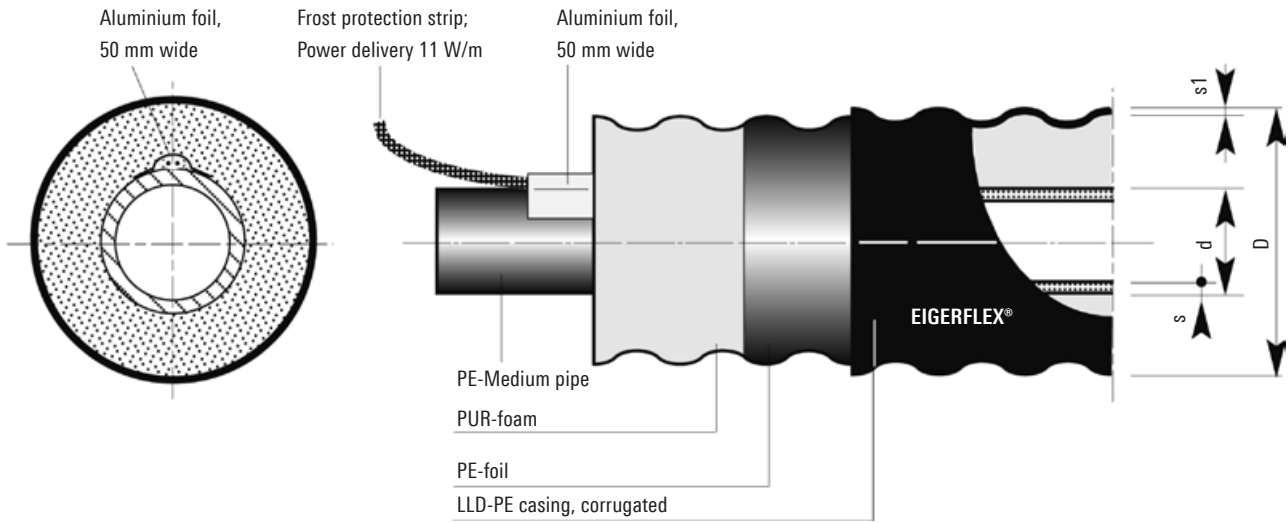


EIGERFLEX®

# EIGERFLEX® range (with frost protection strip)

Dimensions DN 20 - DN 40



## Dimensions DN 20 - DN 40

Type	DN	Inches	Medium pipe PE d x s mm	Outer casing D x s1 mm	Min. bending radius m	Medium pipe Volume l/m	Weight kg/m	max. delivery length*	
								Jumbo coil	Maxi coil
								m	m
25/76	20	¾"	25 x 2.3	78 x 2.0	0.7	0.327	0.90	520	780
32/76	25	1"	32 x 2.9	78 x 2.0	0.7	0.539	1.00	520	780
40/91	32	1 ¼"	40 x 3.7	93 x 2.2	0.8	0.835	1.39	370	570
50/91	40	1 ½"	50 x 4.6	93 x 2.2	0.8	1.307	1.54	370	570

\* Supplies with partial lengths are possible

- other dimensions on request (> 500 m)
- larger or shorter lengths delivered on drums
- Ring dimensions:

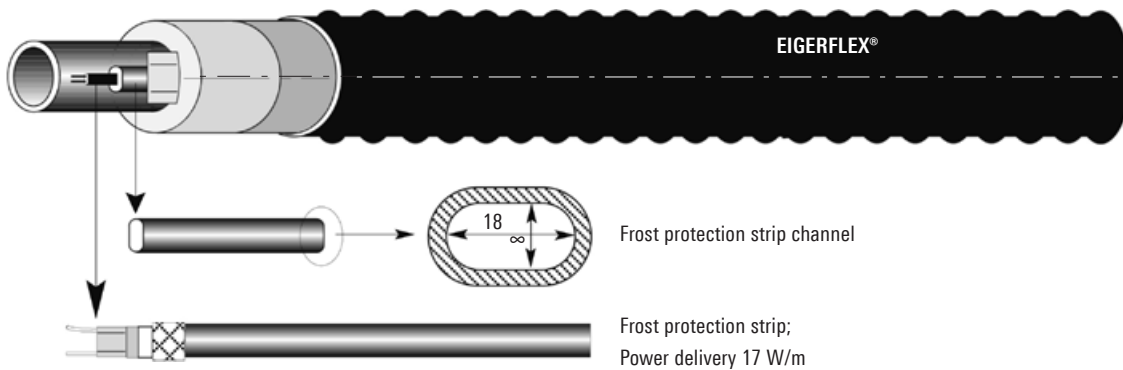
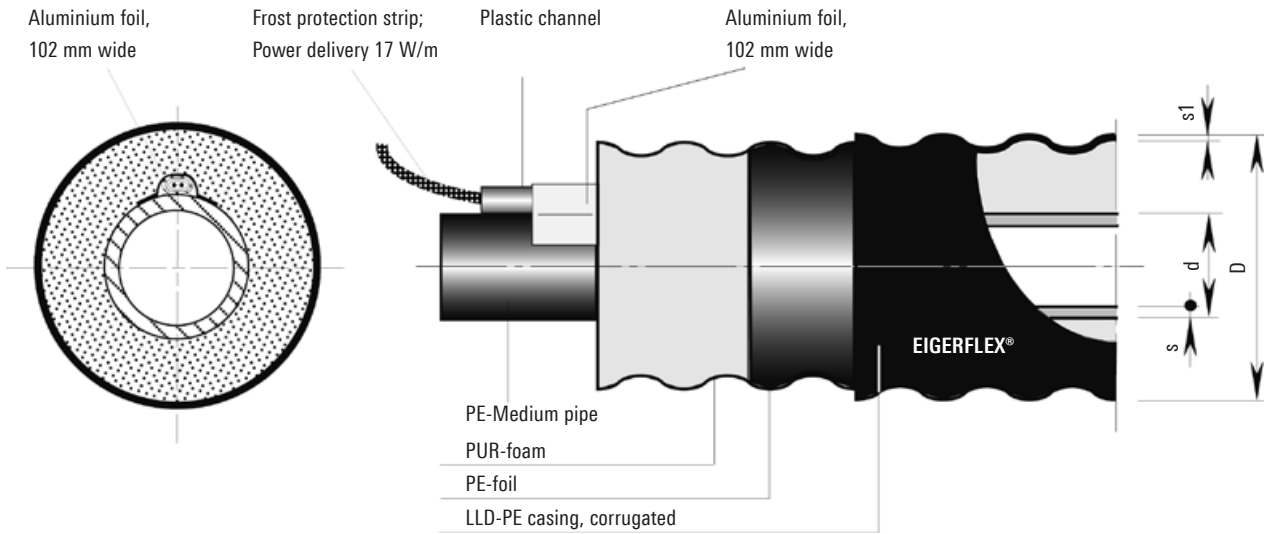
Jumbo coil  
Maxi coil

Outer diameter 2800 mm x 800 mm (width)  
Outer diameter 2800 mm x 1200 mm (width)

EIGERFLEX®

# EIGERFLEX® range (with frost protection strip)

Dimensions DN 50 - DN 100



## Dimensions DN 50 - DN 100

Type	DN	Inches	Medium pipe PE d x s mm	Outer casing D x s1 mm	Min. bending radius m	Medium pipe Volume l/m	Weight kg/m	max. delivery length*	
								Jumbo coil m	Maxi coil m
63/126	50	2"	63 x 5.8	128 x 2.7	1.0	2.091	2.60	192	291
75/126	65	2½"	75 x 6.8	128 x 2.7	1.0	2.961	2.75	192	291
90/162	80	3"	90 x 8.2	163 x 3.2	1.2	4.254	4.56	92	149
110/162	100	4"	110 x 10.0	163 x 3.2	1.2	6.362	5.69	92	149

\* Supplies with partial lengths are possible

- other dimensions on request (> 500 m)
- larger or shorter lengths delivered on drums
- Ring dimensions:

Jumbo coil  
Maxi coil

Outer diameter 2800 mm x 800 mm (width)  
Outer diameter 2800 mm x 1200 mm (width)